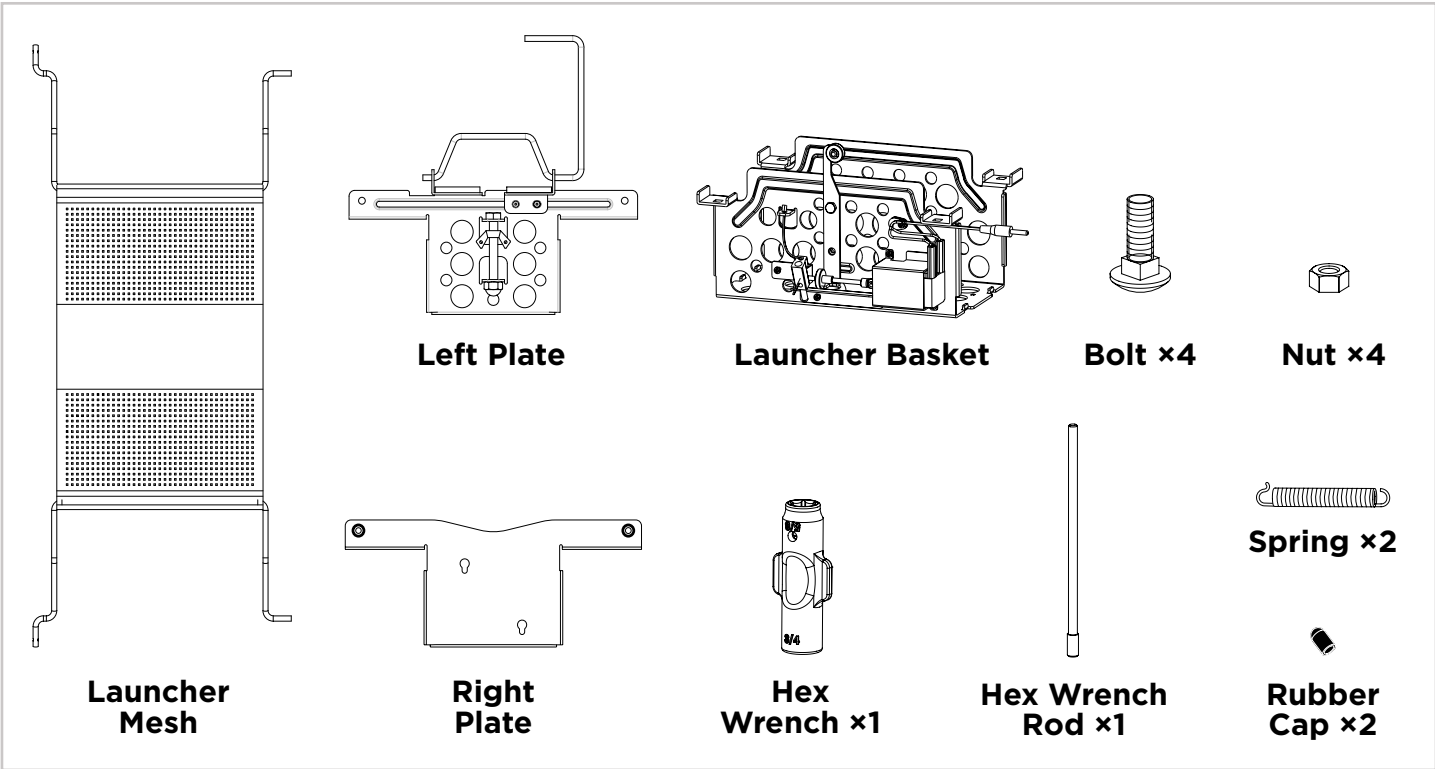


QL2 ASSEMBLY INSTRUCTIONS

Available for use with the Dogtra RR DELUXE



QL2 launcher contents



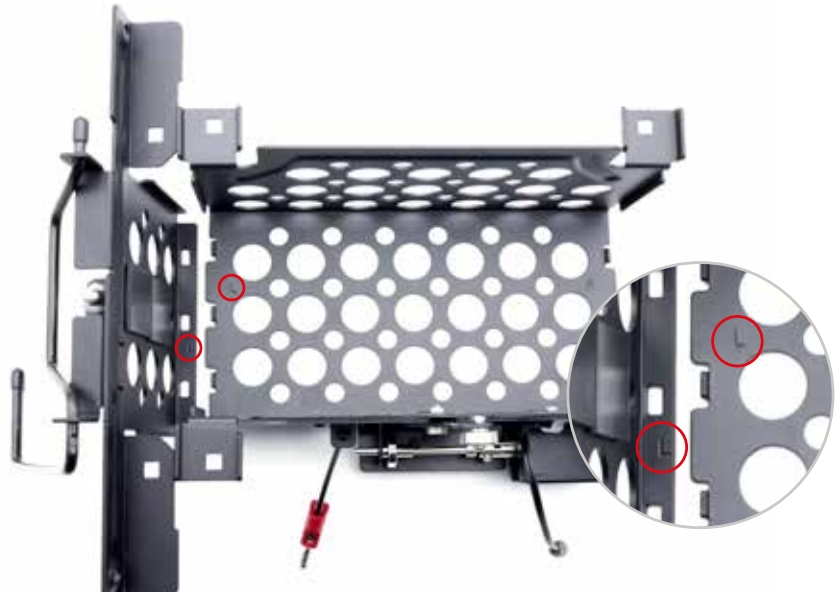
CAUTION SHARP EDGES

Failure to follow this caution may result in personal injury. Sheet metal parts may have sharp edges or burrs. Use care and wear appropriate protective clothing, safety glasses, and gloves when handling parts.

1. Mounting the left plate



Left Plate



Find the “L” mark on the left plate and the launcher basket to match the pieces together.



As shown in the picture, align the left plate with the groove on the launcher basket. Lower it downward in an upside down L shape to combine with the main body.



CAUTION SHARP EDGES

Failure to follow this caution may result in personal injury. Sheet metal parts may have sharp edges or burrs. Use care and wear appropriate protective clothing, safety glasses, and gloves when handling parts.

2. Mounting the right plate



Right Plate



Find the "R" mark on the right plate and the launcher basket to match the pieces together.



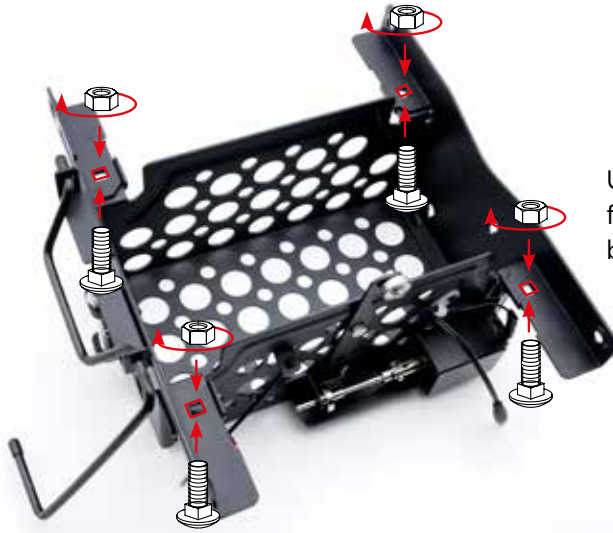
As shown in the picture, align the right plate to the groove at the bottom of the launcher basket. Insert the plate and lower it downwards to combine both pieces.



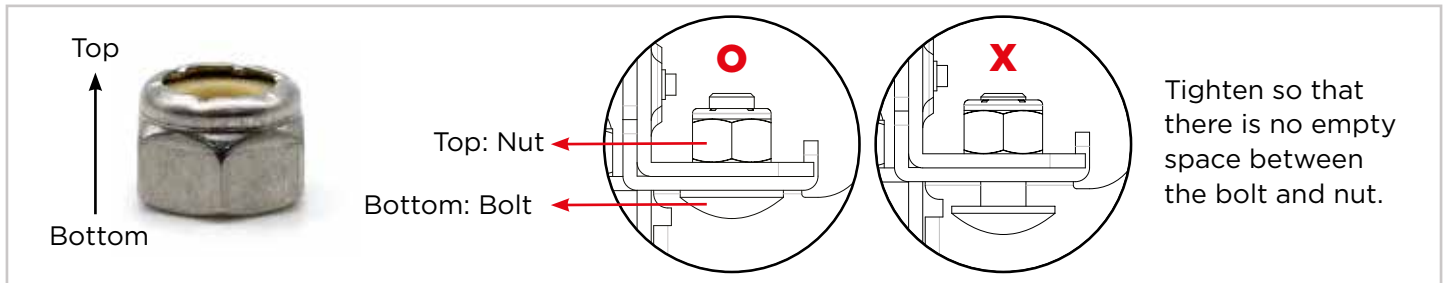
CAUTION SHARP EDGES

Failure to follow this caution may result in personal injury. Sheet metal parts may have sharp edges or burrs. Use care and wear appropriate protective clothing, safety glasses, and gloves when handling parts.

3. Fastening the pieces

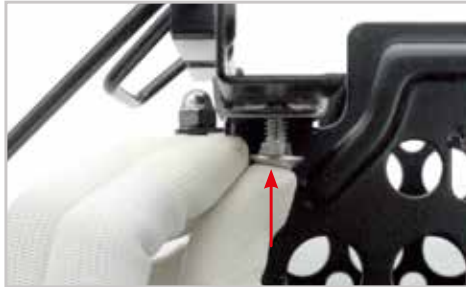


Use the nuts and bolts to fasten the plates and basket together.





Put the hex wrench rod all the way into the hex wrench.



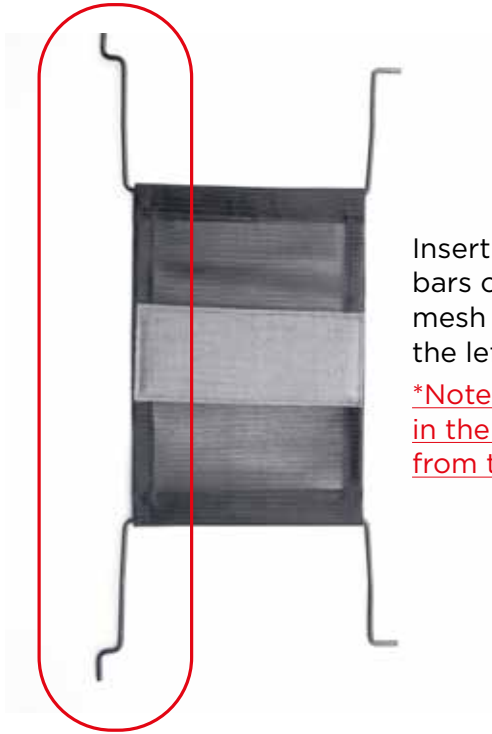
Place the bolt from the bottom to top and hold in place. Make sure that the square portion of the bolt is properly fitted into the square opening. Tighten the nut onto the bolt threading on top.



Use the enclosed hex wrench to fasten together.

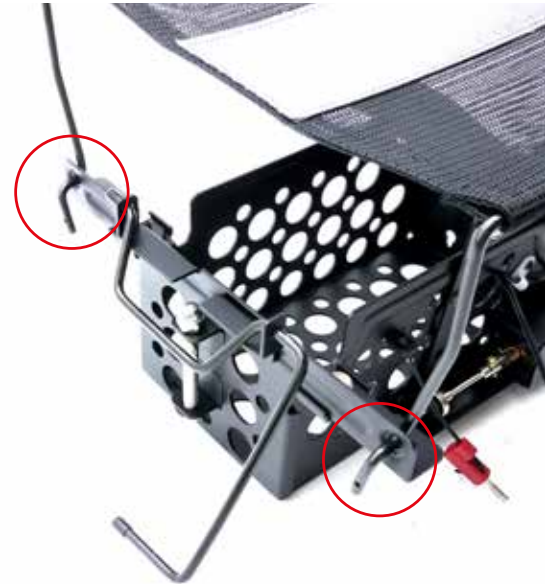
*You can apply some force to tighten securely.

4. Left plate guide bar installation



Insert the left guide bars on the launcher mesh into the holes on the left plate.

*Note the difference in the shape of the bar from the right side.



Insert both sides of the left guide bar into the holes on the left plate.

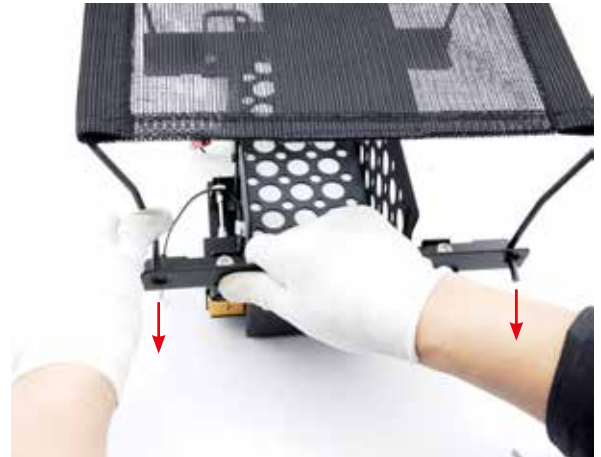


5. Right plate guide bar installation

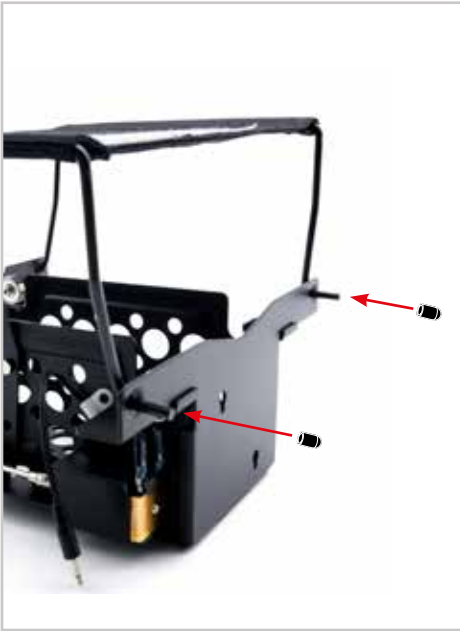


Insert the right guide bars on the launcher mesh into the holes on the right plate.

*Note the difference in the shape of the bar from the left side.



Insert one side of the right guide bar at a time into the holes located on the right plate. This will require slight force to lift the bar into the hole.



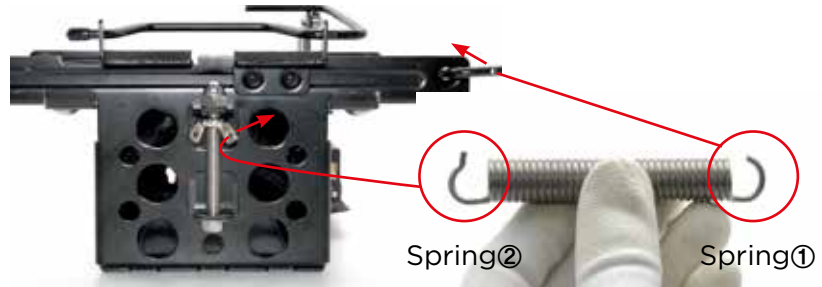
Place the rubber caps on the end of the right guide bar.

6. Right spring installation

⚠ **Caution** The springs should be installed only on the left plate.



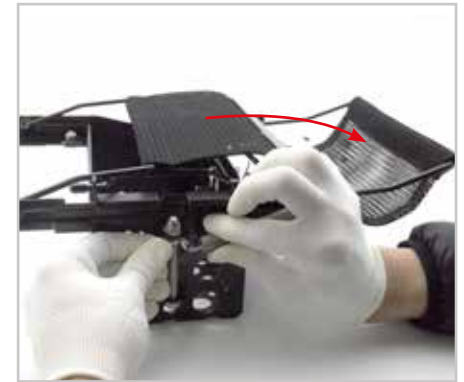
Wingnut



1. Use the spring① side to hook onto the guide bar.



2. Put the spring on the guide bar first and then work your way to the wingnut.



3. Move the launcher mesh to the right side.

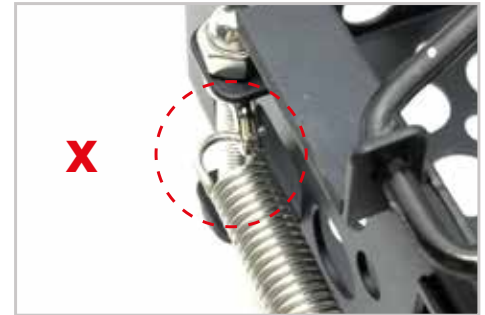


4. Use the spring② side to hook onto the wingnut.

It will require some force to put the spring into the hole on the wingnut.



5. The right spring installation is complete.



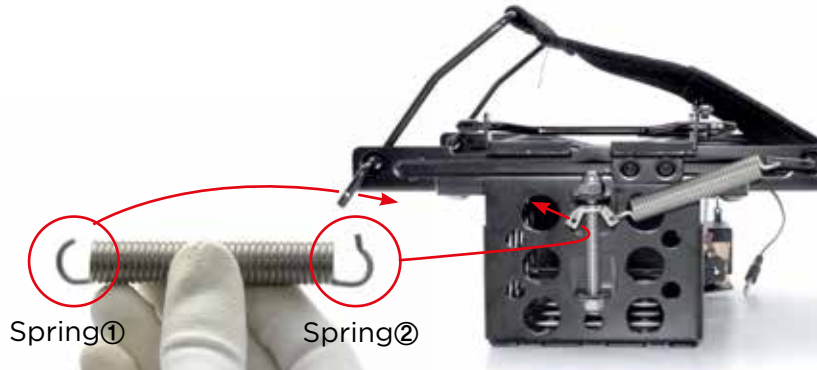
⚠ Warning!

If the hook is not fully inserted into the nut, the spring may fall out and cause injury.

7. Left spring installation



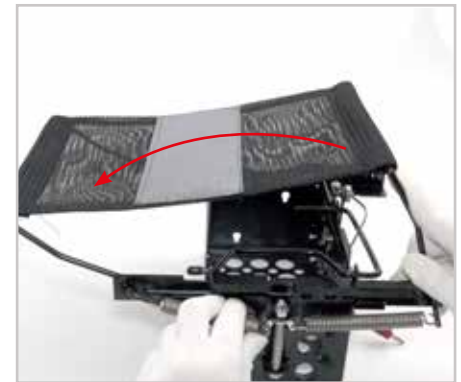
Wingnut



1. Use the spring① side to hook onto the guide bar.



2. Put the spring on the guide bar first and then work your way to the wingnut.



3. Move the launcher mesh to the left side.



4. Use the spring② side to hook onto the wingnut.

It will require some force to put the spring into the hole on the wingnut.



5. The left spring installation is complete.



⚠ Warning!

If the hook is not fully inserted into the nut, the spring may fall out and cause injury.

8. Adjusting spring tension settings



Low launch



Mid launch



High launch



Use the included hex wrench to adjust the wingnut.

Clockwise: high launch
Counterclockwise: low launch

⚠ Warning!

Make sure both springs are completely in place. If not placed correctly, the springs may fall off and cause injury.

When the wingnut goes up, the launch is low. When the wingnut goes down, the launch is high.

9. Setting up the basket



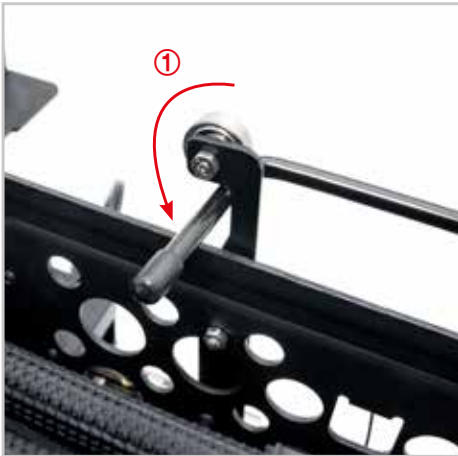
Hold both sides of the launcher mesh and place inside the basket.



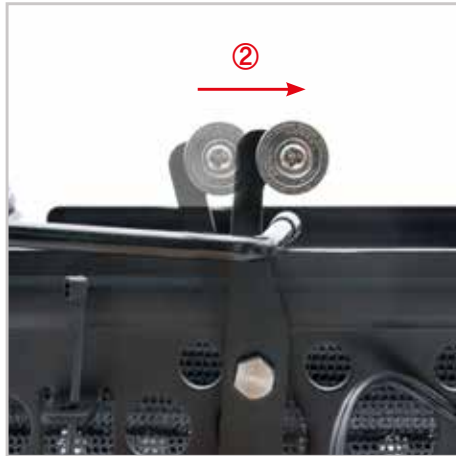
Press the launcher mesh in.



Move the release lever inwards.



Make sure the release lever goes in securely under the latch.



Move the latch in the direction of the arrow to go over the release lever.



The setup is now complete.

⚠ Warning!

Make sure that the release lever is underneath the latch shown in step 2 above. If it not securely set, the basket may pop and cause injury. Please setup properly.

10. Using the safety pin



Find the red safety pin attached to the basket.



Insert the safety pin into the middle hole on the latch.



The safety pin is now in place.



If the final product looks like above, the setup is complete.